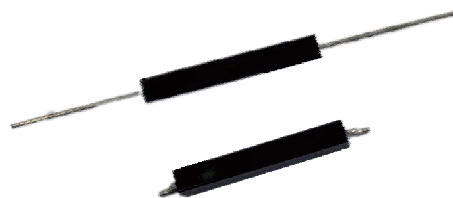


BSM-11SM/SL-XXXX-X

Molded Dry Reed Switch

Features

- The BSM-11SM/SL-XXXX-X is a single contact reed switch.
- Gull Wing, leaded and staple form options.
- tape and reel option.
- Molded stand-off to allow board washing.
- Solder reflow capable.



Order Code

BSM-11SM/SL-XXXX-X
a b

a:AT Ranges:1015,1520,2025,2530...Etc.

b:Nil=Bulk.R=Tape Reel.

Contact Specifications

Switched Power (max)	10W
Max. Switching Voltage	200VDC
Max.Switching Current	0.5A
Max. Carry Current	0.8A
Contact Resistance (initial max.)	0.2Ω
Operate Time	1.0ms
Release Time	1.0ms

Electrical Specifications

Breakdown Voltage	250VDC
Insulation Resistance	$10^{10}\Omega$

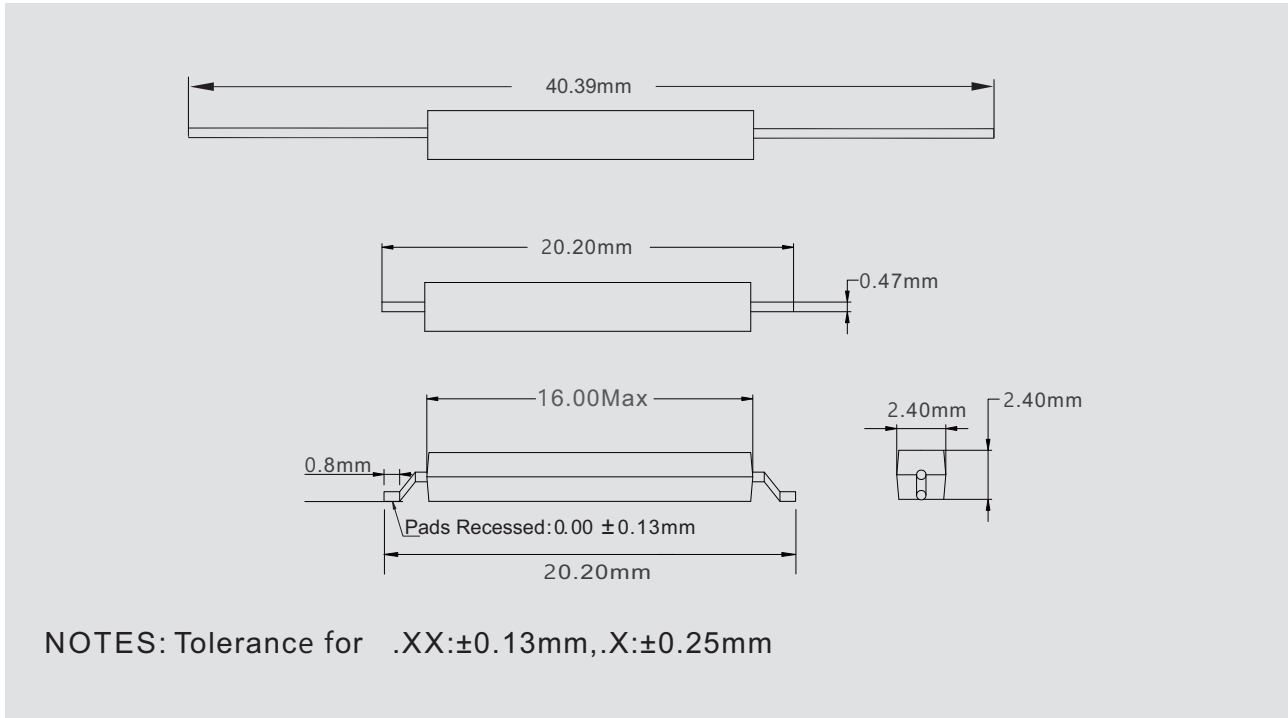
Mechanical Specifications

Vibration(50 to 2KHz)	30G
Shock(11mS 1/2 Sin Wave)	100G
Capacitance Contact	0.3pF

Environmental

Storage Temp	-65°C ~ +125°C
Operating Temp	-40°C ~ +125°C

Measurements: [Unit:mm]



Dimensions for Tape and Reel(Unit:mm)

